



AMAR  
POLYMERS

MANUFACTURERS OF WIND TURBINE PARTS

Product Brochure



## Company

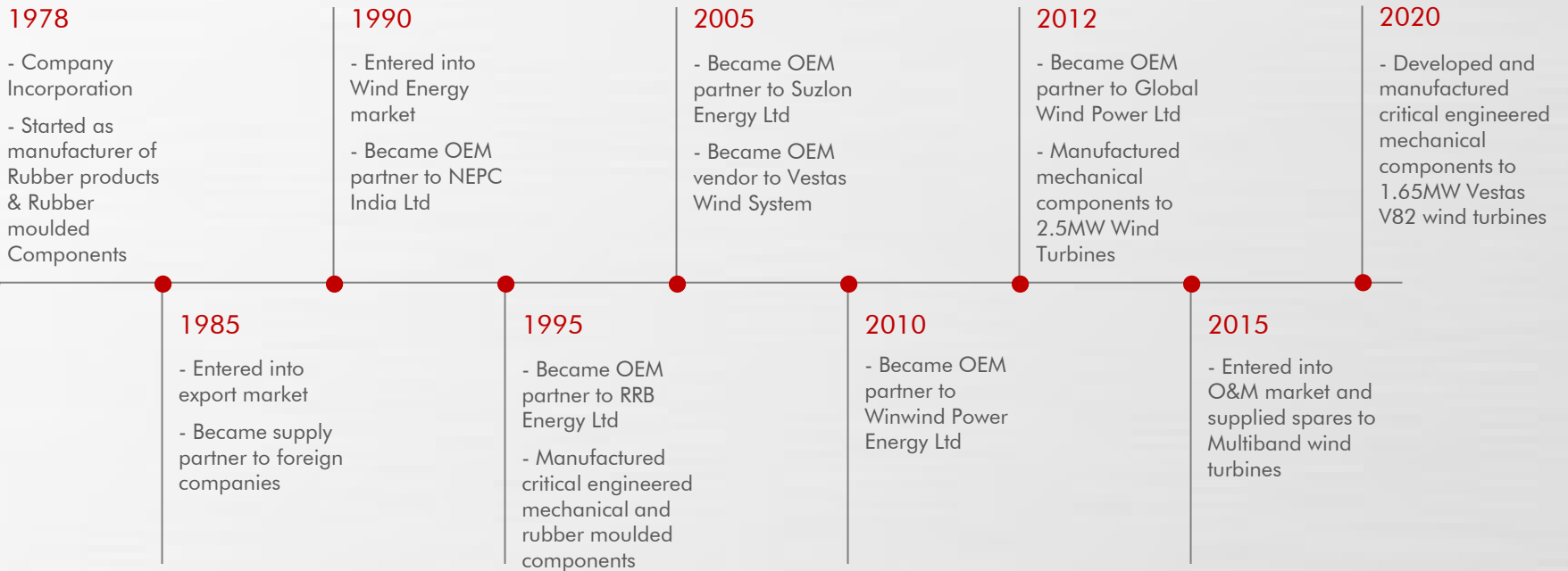
Amar Polymers is an Indian manufacturer of engineered mechanical, rubber and polymeric components for multiple engineering sectors. Amar Polymers established in 1978 at Chennai, Tamil Nadu by Mr. A. M. Sekar, started out as a manufacturer of rubber moulded components.

With a pioneer experience of over 50 years, Mr. A. M. Sekar, sits at the helm of the product design and engineering. In 1990, Amar entered the Wind Power industry for the supply of several unique build components for the wind turbines. The company still caters to several large wind turbine manufacturers all over the world. Over the years, the modest company grew its facility and operations to establish itself as one of the leading manufacturers of critical engineered components.

The motto “EXCELLENCE IS OUR GOAL” is in-grained in each and every team member at Amar Polymers. With the combination of technical expertise and customer service, Amar has sustained in the market for the last four decades thereby earning a loyal network of customers and suppliers. Amar continues to serve the engineering industry through delivering expectations effortlessly.



# Milestones





## Vision

To become the trusted green partner in the renewable energy industry.

## Mission

To provide high quality engineered components, equipment, and world class service to the clean energy industry. Our business model is geared towards a sustainable future by helping reduce climate change.

## Core Values

Innovation  
Collaboration  
Integrity  
Commitment

## Leadership



**Mr.Sekar**  
**Founder**

- Having come from a modest background, Mr.A.M.Sekar started Amar Polymers in 1978
- With a pioneer experience of over 50 years, Mr. A. M. Sekar, sits at the helm of the product design & engineering
- In 1990, he made Amar to enter the Wind Power industry for the supply of several unique build components to the wind turbines.

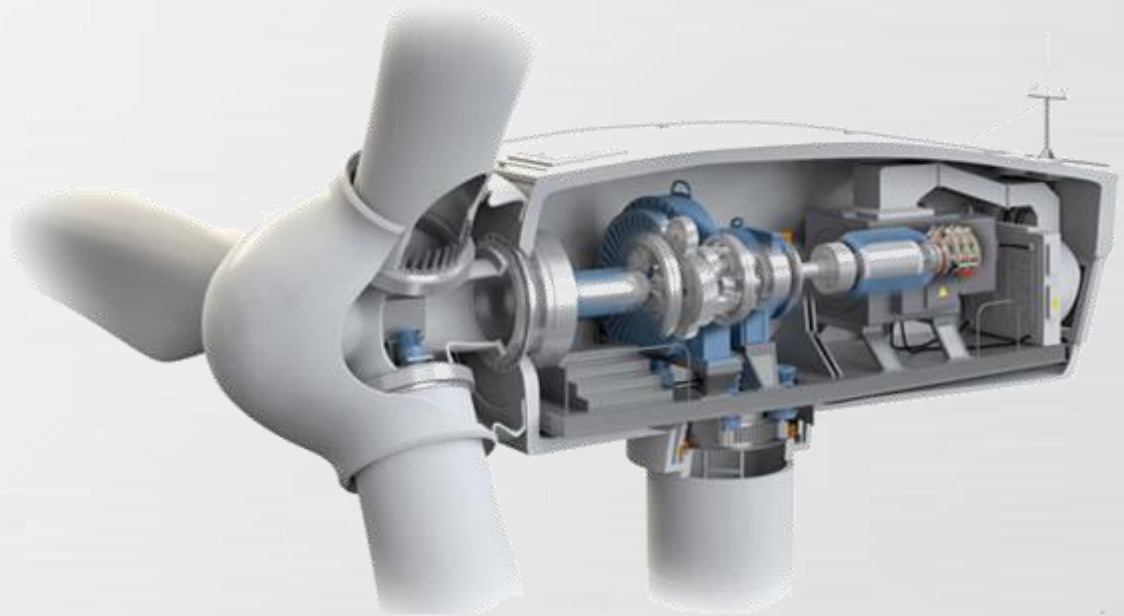


**Mr.Rajaganesh**  
**Managing Director**

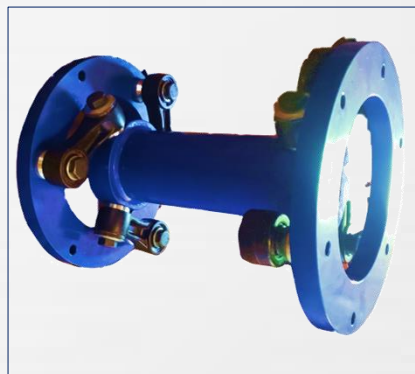
- Mr.Rajaganesh is a second generation entrepreneur whose family business is into mechanical engineering and rubber moulding
- He has worked extensively in the markets of India, Middle East, Singapore and the United States
- He brings considerable experience in casting, forging, machining and allied activities.

## Product Ranges

- Couplings
- Vibration Isolators
- Brakes
- Rotor
- Pitch Mechanism
- Bearings
- Yaw System
- Accessories



# Couplings



## Transmission Coupling

Suitable Turbine	NEPC, NEG Micon, PWL & SWL
Turbine Capacity	225/250KW
Turbine Model	225/250/400 KW

## Transmission Coupling

Suitable Turbine	Vestas
Turbine Capacity	600KW
Turbine Model	V47

## Transmission Coupling

Suitable Turbine	NEG Micon
Turbine Capacity	750KW
Turbine Model	NM48

## Transmission Coupling

Suitable Turbine	Vestas
Turbine Capacity	1.65MW
Turbine Model	V82

# Vibration Isolators



## Generator Damper

Suitable Turbine	NEPC, NEG Micon, PWL & SWL
Turbine Capacity	225/250KW
Turbine Model	225/250/400 KW

## Generator Damper

Suitable Turbine	Vestas
Turbine Capacity	250KW
Turbine Model	V27

## Generator Damper

Suitable Turbine	NEPC, NEG Micon
Turbine Capacity	400KW & 750KW
Turbine Model	NM48

## Generator Damper

Suitable Turbine	Vestas
Turbine Capacity	600KW
Turbine Model	V47



# Vibration Isolators



**Nacelle Damper**

Suitable Turbine	Vestas
Turbine Capacity	600KW
Turbine Model	V47

**Hydraulic Mount Damper**

Suitable Turbine	Vestas
Turbine Capacity	250KW & 600KW
Turbine Model	V27 & V47

**Panel Damper**

Suitable Turbine	Vestas
Turbine Capacity	225KW
Turbine Model	V27

**Generator Damper**

Suitable Turbine	Suzlon
Turbine Capacity	2.1MW
Turbine Model	S88

# Vibration Isolators



**Suspension Sleeve**

Suitable Turbine	NEPC, NEG Micon, PWL & SWL
Turbine Capacity	225/250KW
Turbine Model	225/250KW

**Suspension Sleeve**

Suitable Turbine	NEPC, NEG Micon
Turbine Capacity	400KW & 750KW
Turbine Model	400KW & 750KW

**Gear Stay**

Suitable Turbine	Vestas
Turbine Capacity	250KW
Turbine Model	V27

**Gear Stay**

Suitable Turbine	Vestas
Turbine Capacity	600KW
Turbine Model	V47

# Brakes



Brake Disc	
Suitable Turbine	NEPC, NEG Micon & SWL
Turbine Capacity	225/250KW
Turbine Model	225/250KW

Brake Disc	
Suitable Turbine	Vestas
Turbine Capacity	600KW
Turbine Model	V47

Brake Disc	
Suitable Turbine	Gamesa
Turbine Capacity	2MW
Turbine Model	G8X

Foundation Plate for brake	
Suitable Turbine	Vestas
Turbine Capacity	250KW
Turbine Model	V27

# Brakes



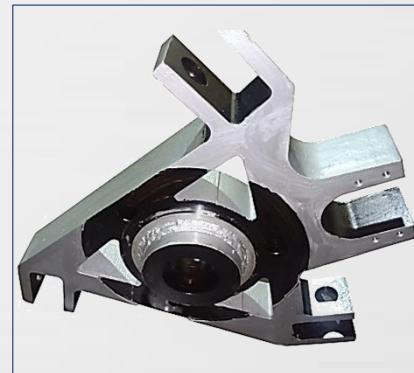
Brake Pad (Plain)	
Suitable Turbine	NEPC, NEG Micon & SWL
Turbine Capacity	225/250KW
Turbine Model	225/250KW

Brake Pad (Sintered)	
Suitable Turbine	Vestas
Turbine Capacity	250KW
Turbine Model	V27

Brake Pad (Plain)	
Suitable Turbine	Vestas
Turbine Capacity	600KW
Turbine Model	V47

Brake Pad (Sintered)	
Suitable Turbine	Vestas
Turbine Capacity	250KW 600KW
Turbine Model	V27 & V47

# Rotor



Hub

Suitable Turbine	NEPC, NEG Micon & SWL
Turbine Capacity	225/250KW
Turbine Model	225/250KW

Blade Extender

Suitable Turbine	NEPC, NEG Micon & SWL
Turbine Capacity	225/250KW
Turbine Model	225/250KW

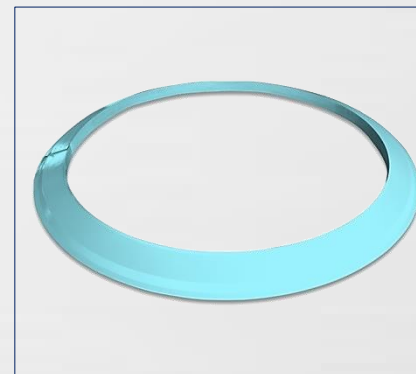
Traverse for Hub

Suitable Turbine	Vestas
Turbine Capacity	500KW
Turbine Model	V39

Traverse for Hub

Suitable Turbine	Vestas
Turbine Capacity	600KW
Turbine Model	V47

# Rotor



Rotor Lock Plate	
Suitable Turbine	Vestas
Turbine Capacity	600KW
Turbine Model	V47

Rotor Lock Accessories	
Suitable Turbine	Vestas
Turbine Capacity	600KW
Turbine Model	V47

Nose Cone Seal	
Suitable Turbine	Vestas
Turbine Capacity	600KW
Turbine Model	V47

Main Shaft	
Suitable Turbine	NEPC, NEG Micon & SWL
Turbine Capacity	225/250KW
Turbine Model	225/250KW

# Pitch Mechanism



**Pitch Unit**

Suitable Turbine	Vestas
Turbine Capacity	250KW
Turbine Model	V27

**Traverse Holder**

Suitable Turbine	Vestas
Turbine Capacity	500KW & 600KW
Turbine Model	V39 & V47

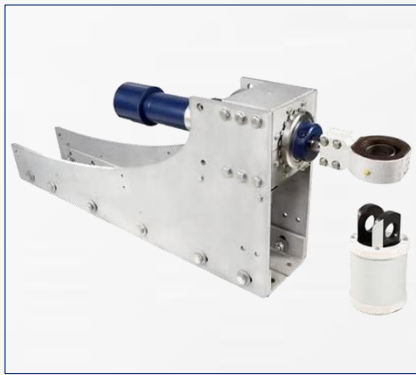
**Fork Connection Assembly**

Suitable Turbine	Vestas
Turbine Capacity	600KW
Turbine Model	V47

**Carrying Tube**

Suitable Turbine	Vestas
Turbine Capacity	600KW
Turbine Model	V47

# Pitch Mechanism



Pitch Unit	
Suitable Turbine	Vestas
Turbine Capacity	600KW
Turbine Model	V47

Crank Assembly	
Suitable Turbine	Vestas
Turbine Capacity	600KW
Turbine Model	V47

Push Rod	
Suitable Turbine	Vestas
Turbine Capacity	500KW 600KW
Turbine Model	V39 & V47

Pitch Cylinder	
Suitable Turbine	Vestas
Turbine Capacity	250KW
Turbine Model	V27



# Bearings



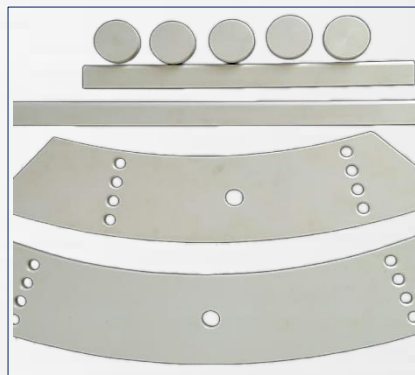
Main Bearing (FAG/SKF)	
Suitable Turbine	Vestas
Turbine Capacity	250KW 600KW
Turbine Model	V27 V47

Blade Bearing	
Suitable Turbine	Vestas
Turbine Capacity	250KW 600KW
Turbine Model	V27 V47

Blade arm Bearing	
Suitable Turbine	Vestas
Turbine Capacity	250KW 600KW
Turbine Model	V27 V47

Cylinder Mount Bearing	
Suitable Turbine	Vestas
Turbine Capacity	600KW
Turbine Model	V47

# Yaw System



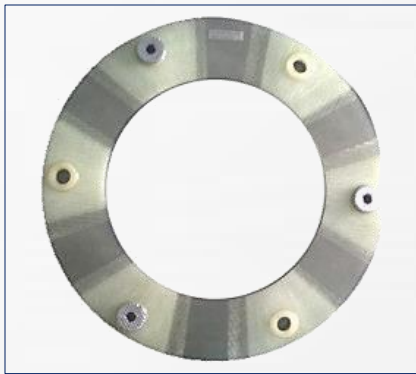
Yaw Top	
Suitable Turbine	Vestas
Turbine Capacity	600KW
Turbine Model	V47

Yaw Sliding Pad	
Suitable Turbine	Vestas
Turbine Capacity	600KW
Turbine Model	V47

Friction Pad	
Suitable Turbine	NEPC, NEG Micon & SWL
Turbine Capacity	225/250KW 750KW
Turbine Model	NM48

Yaw Sliding Pad	
Suitable Turbine	Vestas
Turbine Capacity	250KW
Turbine Model	V27

# Accessories



**Composite Coupling**

Suitable Turbine	Vestas
Turbine Capacity	600KW
Turbine Model	V47



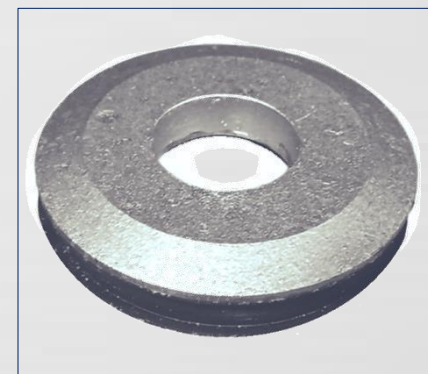
**Generator Flange**

Suitable Turbine	Vestas
Turbine Capacity	600KW
Turbine Model	V47



**Guide Pin**

Suitable Turbine	NEPC, NEG Micon & SWL
Turbine Capacity	225/250KW 400KW
Turbine Model	225/250/ 400KW



**Arm Washer**

Suitable Turbine	Vestas
Turbine Capacity	600KW
Turbine Model	V47

# Accessories



### Connecting Rod

Suitable Turbine	Vestas
Turbine Capacity	250KW 600KW
Turbine Model	V27 V47

### Forging Arm

Suitable Turbine	Vestas
Turbine Capacity	600KW
Turbine Model	V47

### Yaw Motor

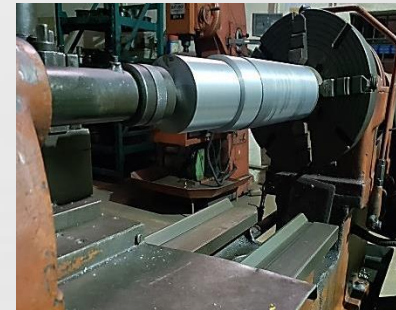
Suitable Turbine	Vestas
Turbine Capacity	250KW 600KW
Turbine Model	V27 & V47

### Anemometer

Suitable Turbine	Vestas
Turbine Capacity	250KW 600KW
Turbine Model	V27 & V47

## Facilities

- CNC Machining center
- CNC Turning center
- Radial drilling machine
- Horizontal boring machine
- Lathe machine
- Hydraulic moulding press
- Hydraulic power press
- Rubber extruder machine
- Vertical Milling machine
- Tapping machine
- Surface Table
- Bench Grinding
- TIG Welding machine
- Arc Welding machine
- Air compressor
- Sander machine
- Band saw cutting machine
- Fork lifter
- Hydraulic hand pallet truck
- Generator



## OEM Clients



SUZLON



## Reach Us

### **Factory:**

No.54/27, Amman Koil Street,  
Athipet kuppam, Chennai-600058,  
Tamil Nadu, India

### **Sales Enquiries:**

bala@amarpolymers.com  
balamurugan@amarpolymers.com

### **Mobile:**

+91 9787684845  
+91 9789899635

### **Website:**

[www.amarpolymer.com](http://www.amarpolymer.com)

